

Fig. 180M Locking Cap

Specification Sheet



DESCRIPTION

The locking cap incorporates a patented spinning technology when in the locked position; basically the cap will free spin, making it impossible to remove.

To remove the cap, simply use the included key and unlock the cap.

- 180M--2100 1C Key Code 197 \$66.50
- 180M--2200 1C Key Code 198 \$66.50
- 180M--2300 1C Key Code 199 \$66.50
- 180M--2400 1C Key Code 200 \$66.50

The fusible material exhausts at 195 +/- 10 Degrees F

The cap can be used on 2" male or female threads.

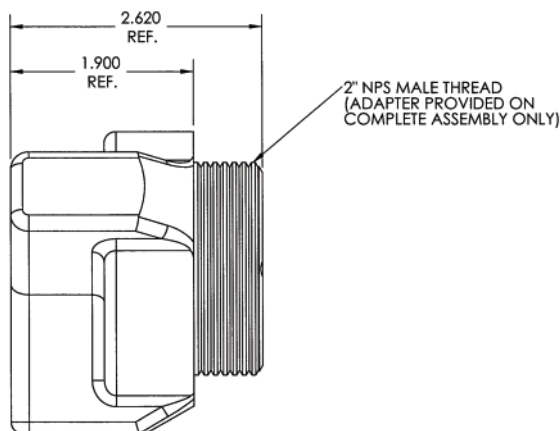
Material:

- Cap: Zamack 3
- Adaptor Plug: Zamack 27
- O-Ring: Viton

Weight: 2.15 Lbs.

Key Part Number

- | | |
|--------------|--------------|
| 180M-2103 1K | Key Code 197 |
| 180M-2203 1K | Key Code 198 |
| 180M-2303 1K | Key Code 199 |
| 180M-2403 1K | Key Code 200 |



New Product Announcement